

joloda.com

joloda
hydraroll

LIGHTENING LOADS

WORKING IN
PARTNERSHIP WITH

 SOUTHERN
STATES GROUP



aluminium skate & track datasheet

an introduction



LIGHTWEIGHT

Joloda Hydraroll's new Aluminium Skate weighs only 7kg each, making it undeniably a lightweight system. It weighs 5kg lighter than the typical steel skate-type. Our lightweight skates help operators manoeuvre the skate (and the load) on and off trucks lighter, reducing the strain on the operator.



HEAVY DUTY

Our new Aluminium Skates have been rigorously tested and confirmed as a 'heavy-duty' skate and are capable of lifting capacity of 1,600kg per pair - setting the new market standard. They also feature the same rollers that are used in our Steel Skates and have a larger load rating than competitors'.



EASY TO REPAIR

Our Aluminium Skates have been designed for easy and quick maintenance with a simple parts replacement process, which means that should any screws come loose, easy in-house maintenance can be carried out to prolong the skate's life.

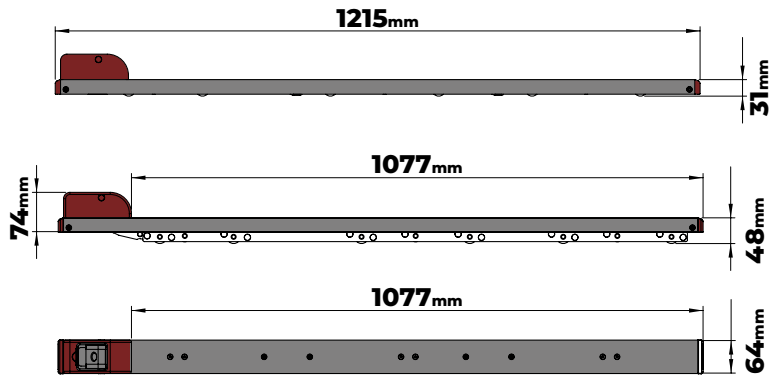


Manufactured in
GREAT BRITAIN

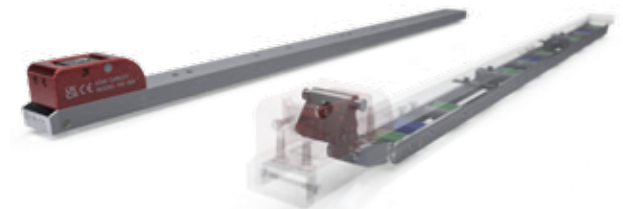
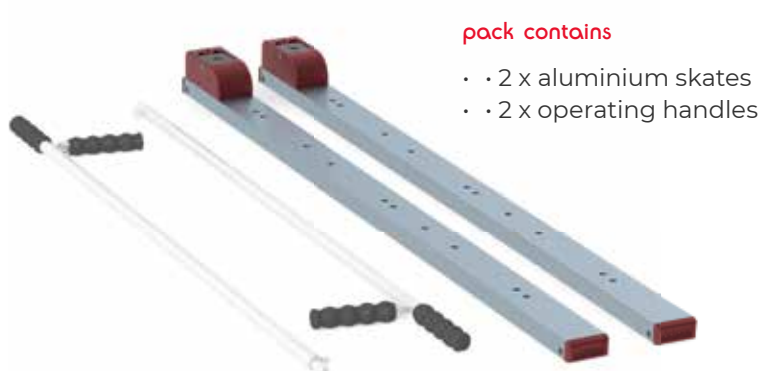
MADE IN BRITAIN

Our new Aluminium Skates are manufactured in our in-house manufacturing facility based in Liverpool, United Kingdom, which has been manufacturing the world-renowned Joloda skate for 60 years.

sizes and dimensions



Item	Quantity
Rollers 9	9
Bogeys 1	1
Lowered Height (mm) 31	31mm
Lift Height (mm) 17	17mm
Weight (kg) 7.00	7.0kg
Lift Rating Per Pair (kg) 1,600	1,600kg
Raised Handle Angle 40°	40°



if you have any questions, please get in touch!

joloda
hydraroll

LIGHTENING LOADS

WORKING IN
PARTNERSHIP WITH



lightening loads across the world

joloda.com

Southern States Group

4-6 Burns Road, Altona
VIC 3018, Australia
+61 3 8689 7111
info@ssgroup.com.au

Joloda Hydraroll Ltd (Head Office)

1 De Havilland Drive, Liverpool
L24 8RN, United Kingdom
+44 151 427 8954
hello@joloda.com

Joloda BV (European Office)

De Hulst 13, 5807 EW, Oostrum
Venray, The Netherlands
+31 478 501 059
sales@joloda.nl

Joloda Loading Automation (USA Office)

PO Box 4820, Wilmington
North Carolina, 28406, USA
+1 910 791 2125
brett.murrill@loading-automation.com

Joloda Hydraroll SAS (French Office)

1 Cour du Havre, CS50101
75008 Paris, France
+ 33 7 81 41 99 00
jbalsemin@joloda.com