

DoorLIFT®

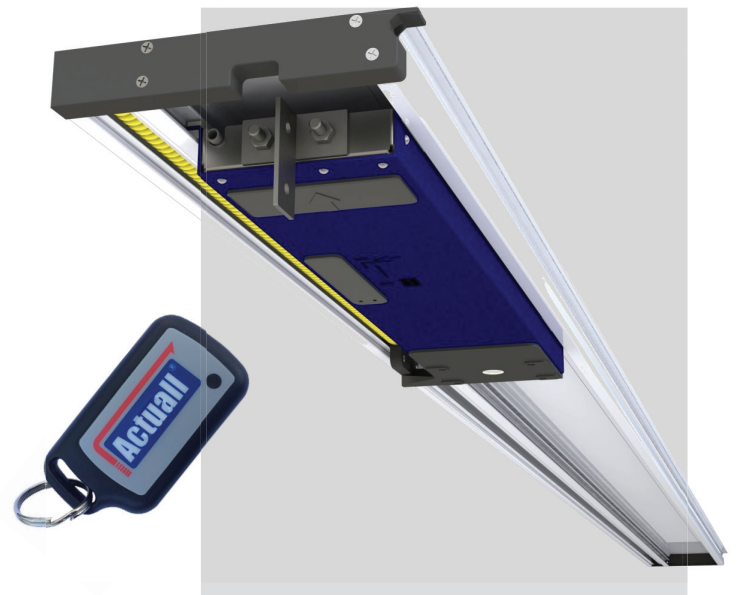
REMOTE ROLL-UP DOOR SYSTEM

Lift, lower and secure your Roll-up Door with the push of a button. The DoorLIFT is engineered to save time, minimize operator fatigue and improve load security. This automatic door system will improve fleet and operator efficiency, increasing the number of stops your drivers can make in a day.



PRODUCT FEATURES

- ☒ Direct drive - no cables or chains
- ☒ Controlled movement increases life of the door
- ☒ Low profile track and drive mechanism
- ☒ Enhanced door security protects your load from theft and temperature fluctuation.
- ☒ Auto cargo area light switch possible
- ☒ Safety system senses obstruction
- ☒ Quick release system for manual operation
- ☒ Compact design



EASY INSTALLATION

The basic system consists of

- ☒ Aluminum track with drive motor
- ☒ Door connection materials
- ☒ Control box
- ☒ Remote controls
- ☒ Emergency release set



Lift, lower and lock your roll-up door with the push of a button.



Stops and reverses when an obstruction is sensed.



DoorLIFT®

COMPANIES THAT ALREADY HAVE DECIDED FOR DOORLIFT :



Doorlift is a product of Actual Innomotive International B.V.

